

MS Series Proximity Cards

For use with MS Series Proximity™ Readers

DATA SHEET



KC-10X

Standard Light Proximity Card

- Wallet friendly - thinner than other comparable proximity cards
- Extremely durable
- Industry standard formats
- Unique ID codes
- Lifetime Warranty



MT-10X

Multi Technology Proximity Card

- ISO thin, just 0.031" (0.8 mm)
- With or without Magnetic Stripe
- Can also print bar codes
- Unique ID codes

Keri's **KC-10X Standard Light Proximity Card** provides maximum read range performance in a thin package that is easily carried in a wallet or purse or worn on clothing with a clip or lanyard. These cards are extremely durable and convenient. They are manufactured with a vertical hanging slot punch and they come with a lifetime warranty.

The **MT-10X Multi Technology Proximity Card** allows the user to combine several identification technologies in a single credit card thin credential. The cards can be ordered with or without a high coercivity magnetic stripe, which is useful if there are other types of systems in use that are mag stripe based, such as cafeteria vending. They are also convenient for customers who may have a proximity-based access control system at one site and a mag stripe-based system at other locations, allowing the user to carry a single card.

One of the most popular features of the Multi Technology Cards is that they can accept a direct print video image, typically a photograph, a bar code, and other graphics from most industry standard dye sublimation printers, to create a custom access credential.

Unless the user requires the combination of mag stripe and proximity, the KC-10X Standard Light Card is recommended over the MT-10X Multi Technology Card whenever possible because of its lower cost and lifetime warranty. The Standard Light Cards can be fitted with PVC label or "skin" which can accept a direct printed image to provide photo ID at a much lower cost and greater durability.

Keri **Proximity Credentials** (including Cards, Tags, and Patches) can be used interchangeably on the same system without worry about ID code duplication or format matching.



2305 Bering Drive • San Jose, California 95131
408-435-8400 • Toll Free: 800-260-5265 • Fax: 408-577-1792

email: sales@kerisys.com • web: www.kerisys.com

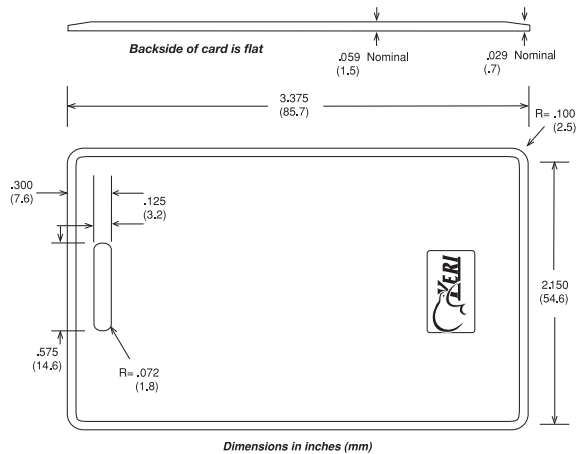
MS Series Proximity Cards

For use with MS Series Proximity™ Readers

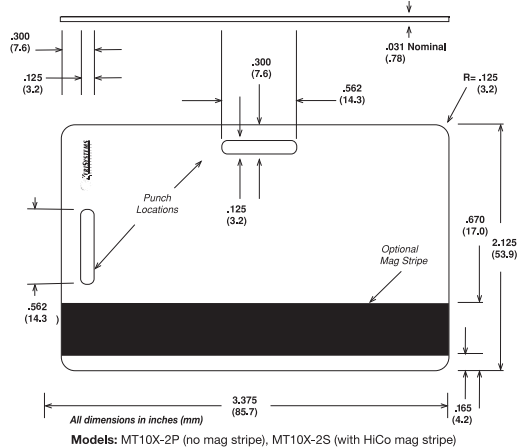
DATA SHEET, Page 2 of 2



KC-10X Standard Light Proximity Card



MT-10X Multi Technology Proximity Card



Specifications:

Read Range*:

MS-3000 up to 4 inches (10 cm)
 MS-4000 up to 1 inch (2.5 cm)
 MS-5000 up to 8 inches (20 cm)
 MS-7000 up to 15 inches (38 cm)

Size:

L = 3.38, W = 2.14, T = 0.059 inches
 Approx. 86 x 54 x 1.5 mm

Weight:

0.31 oz (8.8 g)

Material:

ABS

Frequency:

125 KHz excitation / 62.5 KHz return

Temperature:

-40° C to +70° C

Humidity:

0-100% non-condensing

Color:

Off white

Warranty:

The Standard Light Proximity Card comes with a limited lifetime warranty against defects in materials and workmanship.

Specifications:

Read Range*:

MS-3000 up to 3 inches (7.6 cm)
 MS-4000 up to 1 inch (2.5 cm)
 MS-5000 up to 4 inches (10 cm)
 MS-7000 up to 12 inches (30 cm)

Size:

L = 3.38, W = 2.14, T = 0.031 inches
 Approx. 86 x 54 x .08 mm

Weight:

0.19 oz (5.5 g)

Material:

PVC with a printable, gloss surface

Frequency:

125 KHz excitation / 62.5 KHz return

Temperature:

-40° C to +70° C

Humidity:

0-100% non-condensing

Color:

White

Warranty:

The Multi Technology Proximity Card comes with a limited 1 year warranty against defects in materials and workmanship.

Note: Specifications subject to change without notice. Trademarks are the property of their respective owners.

* Read range is stated in a clean RF and electrical environment with card presented parallel to the reader surface.

ORDERING INFORMATION:

Part Number	Description
KC-10X	Clamshell NXT Proximity Card for MS Readers
MT-10XP	Thin Photo Imagable NXT Proximity Card for MS Readers
MT-10XS	Thin Photo Imagable NXT Proximity Card with magnetic stripe for MS Readers
PKT-10X	Proximity Key Tag for MS Readers



Presented By:

Proximity Key Tags and Patches

For use with MS Series Proximity™ Readers

DATA SHEET



PKT-10X Proximity Key Ring Tag

- Smallest Proximity Key Ring Tag available
- Robust and Durable
 - Washing Machine Tough
- Unique Codes
- Lifetime Warranty

AP-10X Adhesive Proximity Patch

- Turns virtually anything into a proximity credential
- Extremely strong adhesive, patch will not accidentally fall off
- Unique Codes
- Extremely Thin



Keri's **PKT-10X Proximity Key Ring Tag** provides user convenience in a small, ergonomic, and extremely durable package. The tag is equipped with a brass eyelet for attachment to a key ring that ensures the neck of the tag will not break during the life of the system. Key Tags are especially convenient for building entrances where the user still has their car keys in hand. If the system has many interior doors that are secured with a Keri access control system, users often attach the tag to a lanyard for easy carrying, especially if the clothing does not have pockets. If parking gates are secured by an access control system, a Keri Proximity Card is recommended because the tag is usually hanging with the keys in the ignition.

The **AP-10X Adhesive Proximity Patch** from Keri offers all the flexibility of other Keri proximity credentials, but in a form factor that allows it to be attached to virtually anything. As with any Keri proximity device, it will read through most non metallic surfaces.

Common AP-10X Applications:

- Attach it to a wallet or cell phone to create a personalized proximity credential
- Use it with an existing photo ID card to create new security credentials without incurring the expense of rebadging
- Place it on high value inventory items to uniquely identify these items to your security system
- Adhere it to older *swipe* technology device cards (such as *Wiegand* and *Mag Stripe*) to provide a low cost proximity upgrade (the proximity patch can interfere with other RFID technologies)

Keri **Proximity Credentials** (including Cards, Tags, and Patches) can be used interchangeably on the same system without worry about ID code duplication or format matching.



2305 Bering Drive • San Jose, California 95131
408-435-8400 • Toll Free: 800-260-5265 • Fax: 408-577-1792

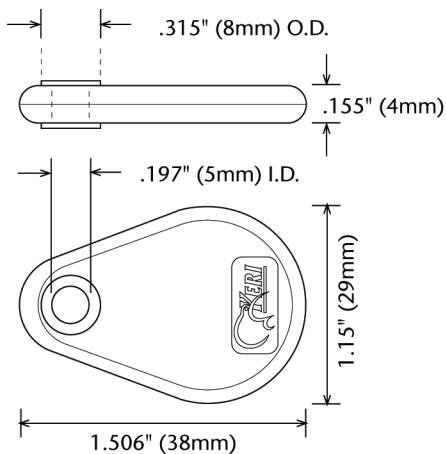
email: sales@kerisys.com • web: www.kerisys.com

Proximity Key Tags and Patches

For use with MS Series Proximity™ Readers

DATA SHEET, Page 2 of 2

PKT-10X Proximity Key Ring Tag



Specifications:

Read Range*:

MS-3000 up to 2 inches (5 cm)
MS-4000 up to 1 inch (2.5 cm)
MS-5000 up to 4 inches (10 cm)
MS-7000 up to 7 inches (18 cm)

Size:

L = 1.51, W = 1.15, T = 0.155 inches
Approx. 38 x 29 x 4 mm

Weight:

0.16 oz
(4.5 g)

Material:

ABS body, brass eyelet

Frequency:

125 KHz excitation / 62.5 KHz return

Temperature:

-40° C to +70° C

Humidity:

0-100% non-condensing

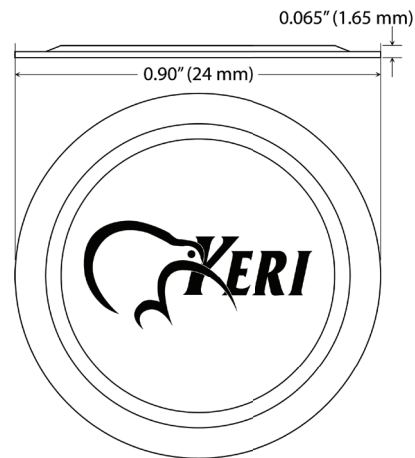
Color:

Gray

Warranty:

The Key Tag comes with a limited lifetime warranty against defects in materials and workmanship

AP-10X Adhesive Proximity Patch



Specifications:

Read Range*:

MS-3000 up to 2 inches (5 cm)
MS-4000 up to 1 inch (2.5 cm)
MS-5000 up to 4 inches (10 cm)
MS-7000 up to 7 inches (18 cm)

Size:

D = 0.980, T = 0.065 inches
Approx. 24.89 x 1.65 mm

Weight:

0.03 oz
(0.85 g)

Material:

Polycarbonate

Frequency:

125 KHz excitation / 62.5 KHz return

Temperature:

-35° C to +50° C

Humidity:

0-100% non-condensing

Color:

Gray

Warranty:

The Patch comes with a limited lifetime warranty against defects in materials and workmanship

*Note: Specifications subject to change without notice. Trademarks are the property of their respective owners.
* Read range is stated in a clean RF and electrical environment with card presented parallel to the reader surface.*



Presented By: