



## FW2921 Series Bells (Vibrating)

### FEATURE

- 6", 8", 10" three options available.
- 24Volt DC operation voltage.
- Polarized power for wiring supervision.
- Outdoor installation with WBB-S back box.
- Low current draw and high dB output.



### GENERAL

**Electrical Efficiency:** The FW2921 Series alarm bells are engineered to operate with low electrical current, making them energy efficient. This is advantageous for minimizing power consumption and ensuring the stability of the power supply.

**High Sound Output:** These alarm bells can produce high-decibel sound output. The high sound level is crucial for effectively alerting individuals in emergencies or signaling events.

**Polarized Electrical Design:** The alarm bells incorporate a polarized electrical design, making them compatible with supervision circuitry. This ensures that the integrity of the electrical connection is maintained and monitored, enhancing the reliability of the signaling system.

**Motor-Driven Operation:** The alarm bells are motor-driven, enabling consistent and reliable performance. This design ensures that the bells can maintain their sound output over extended periods of operation.

**Power Supply:** The alarm bells operate on a 24 VDC power supply, a standard voltage level for fire and security systems. This voltage level ensures compatibility with standard power sources.

**Mounting Options:** For indoor use, the FW2921 Series alarm bells can be conveniently mounted to a standard 4-inch (10.16 cm) square electrical box, simplifying installation on various surfaces.

**Outdoor Installation:** When deployed in outdoor applications, a weatherproof backbox (WBB-S) is required to protect the alarm bells from environmental factors such as moisture and dust. This additional component ensures the device's durability in outdoor conditions.



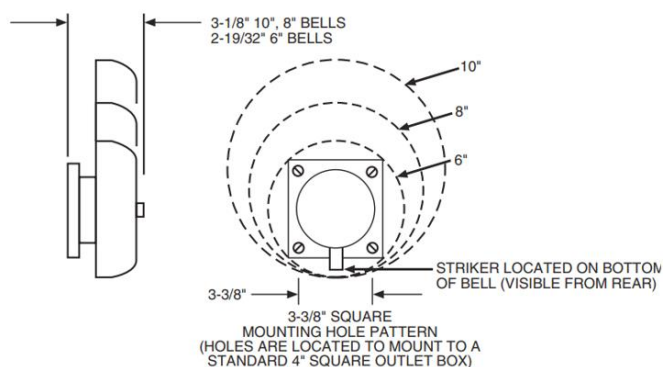
#### Agency Listings and Approvals

UL Listed: S35539

SPECIFICATION

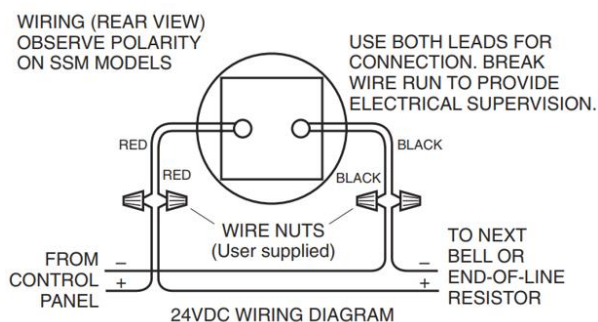
<b>Operating Voltage</b>	16 to 33 VDC (Regulated 24VDC)	
<b>Operating Current</b>	DC - 31.1 mA/FWR - 53.5 mA	
<b>Sound Level (dB) UL 464</b>	FW2921-24S	82
	FW2921-24M	82
	FW2921-24L	82
<b>Operating Temperature</b>	-31° to 150°F (-35° to +66°C)	
<b>Operating Humidity</b>	0 to 93% RH	

MOUNTING & WIRING



Mounting

Mount the bell mechanism on a 4" square electrical box with the striker facing down.



Wiring

Wiring to a stable 24 Volts DC power supply. Read through user manual DOC-FW2921-UM-R0.1 for testing and maintenance.

ORDERING INFORMATION

Model	Description	COO	UOM	MOQ	MPQ	Carton size and weight
FW2921-24S	6", 24 VDC, Polarized, Suppressed	China	Ea.	10	10	10 individual box/carton 39x35x20mm, gross weight 11.5kg
FW2921-24M	8", 24 VDC, Polarized, Suppressed	China	Ea.	5	5	5 individual box/carton 44x23x24mm, gross weight 8.0kg
FW2921-24L	10", 24 VDC, Polarized, Suppressed	China	Ea.	5	5	5 individual box/carton 44x28x30mm, gross weight 11.5kg
WBB-S	Weather-proof Back Box for Outdoor installation, Plastic, 4 screws in package	China	Ea.	84	84	84 pcs/carton 49.5x38x36mm, gross weight 10.2kg