

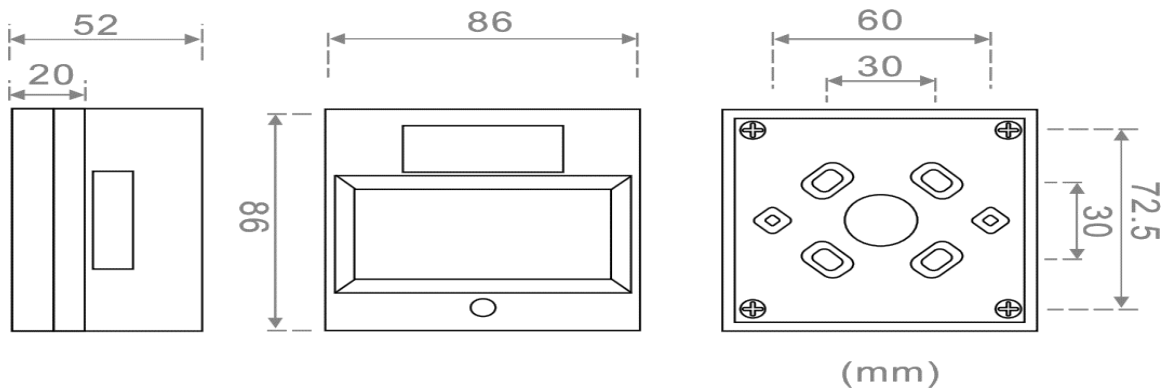
MCP24
Emergency Door Release Break Glass

Front View

Internal View
SPECIFICATION

Model	MCP24 Emergency Door Release Break Glass
Operating Voltage	30VDC(max)
Operating Current	1A(max)
Terminals	Double Pole
Ingress Protection Rating	IP24
Operation	Break Glass
Available Colours	White / Green

Product Dimension(mm)


Walker Safety Products Pte Ltd

55 Ubi Ave 1, #04-10, Singapore 408935

 Email: sales@walkersafety.com | Website: www.walkersafety.com

Tel: (65) 6286 2770 | Fax: (65) 6286 2155