

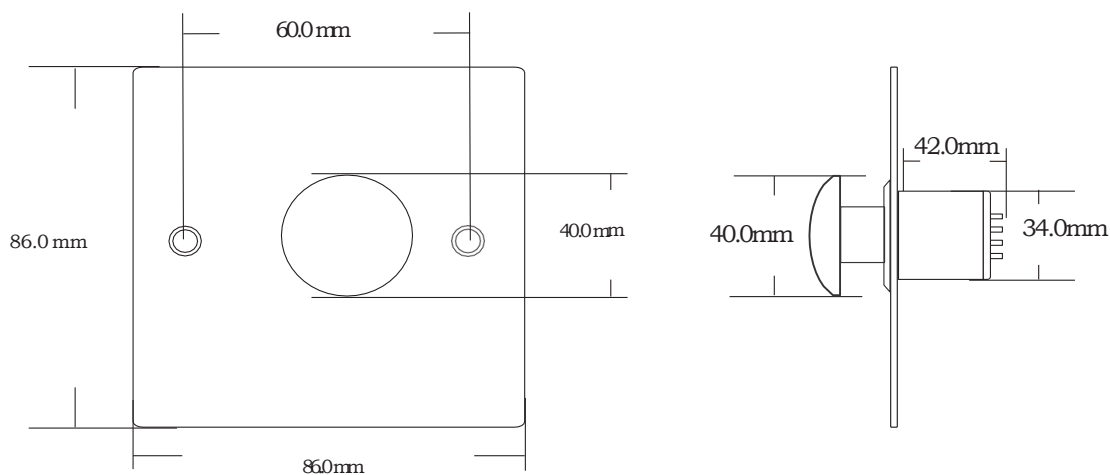
Mushroom Headed Latching Button with Key Reset



Specification

Dimensions:	86L*86W*42H(mm)	Contact Code:	Q600 DC-13
Contact Rating:	3A/125-250VAC	Resistance:	<= 25 Mohm
Output Contact:	NO/COM/NC	Rated operationa:	65 W DC-13
Mechanical:	Key Reset	Face Panel:	Aluminium
Button Colour:	Red	Enclosure:	PVC
Weight:	0.117kg	Mechanical durability:	1,000,000 cycles
Phrasing Logo:	Emergency -Push		

Product Dimension



WALKER SAFETY PRODUCTS PTE LTD

55 Ubi Ave 1, #04-10, Singapore 408935

Email: sales@walkersafety.com Website: www.walkersafety.com

Tel: (65) 6286 2770 Fax: (65) 6286 2155