

### Statement:

The GK-310 series electric strikes are designed for use with cylindrical locks and mortise locksets (with dead-latch) having up to 12 mm throw latchbolt.

The GK-310 series is available in two models, GK-310 Unmonitored or the GK-310M with sensor switch output. The units are design for use with most hollow metal frames and aluminum frames. Stainless steel plate ensures strength and long life.



GK-310

GK-310M

### Specifications:

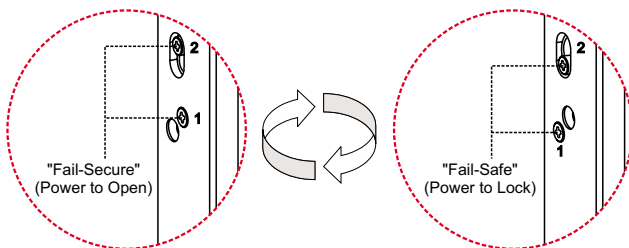
- Power Input: 12 V DC (24V DC available by special order)
- Voltage Tolerance:  $\pm 15\%$
- Current Draw: 0.25 A@12 VDC; 0.15 A@24 VDC (at temperature 20°C)
- Sensor Switch monitored output (GK-310M), Rating 2A@125V, indicates the lockset locked or unlocked status.
- Operating Temperature: -10~45°C
- Humidity: 0~95% non-condensing.
- Lock's surface Temperature (when the power is on):  $\leq$  current temperature +20°C
- 2000 LBS jaw strength pull testing.
- Tested to 1,000,000 cycles.
- Weight (Approx.) : 400 g

### Patent :

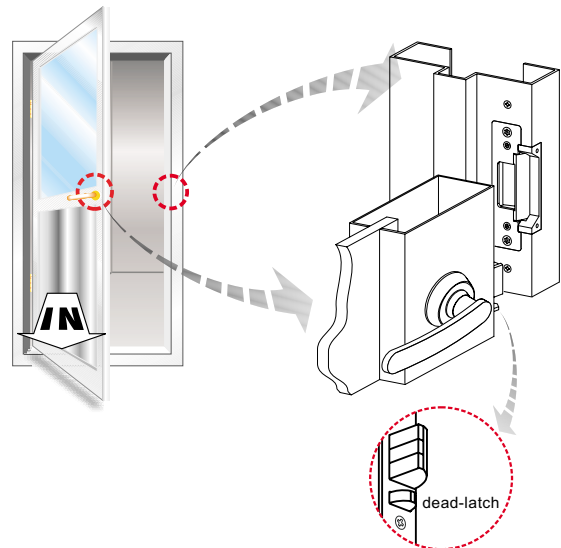
- 393885 (China)
- 6299225 (U.S.A)
- GB2355753 (U.K)
- 166716 (Taiwan)

### Version Changeable

Field-reversible (by changing position of screws) on site for Fail-safe (Power to Lock) or Fail-secure (Power to Open) in 10 seconds.



### Hollow Metal Frames Flush Installation

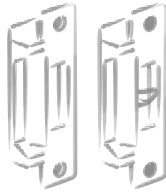


### CSIRO Fire-resistance Certificate

The fitting of the alternative items of hardware, to the previously tested doorsets as reported in Sponsored Investigation FSV 0609, is permissible within the terms of clause 4.1 of Australian Standard 1905, Part 1-1997. The doorsets listed in the table below would qualify for the fire-resistance level shown, if fitted with the alternative items of hardware.

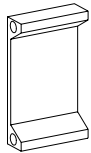
### Long life solenoids

Strikes are powered by a solenoid, not a buzzer coil. Special designed solenoid for strength and long life operating lifetime with guaranteed 1,000,000 operations.

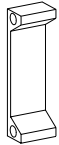


### Optional Accessory:

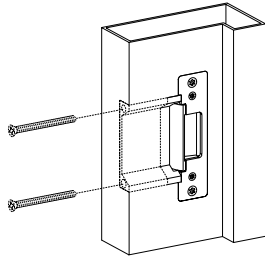
Lip extension brackets for the wide jamb.



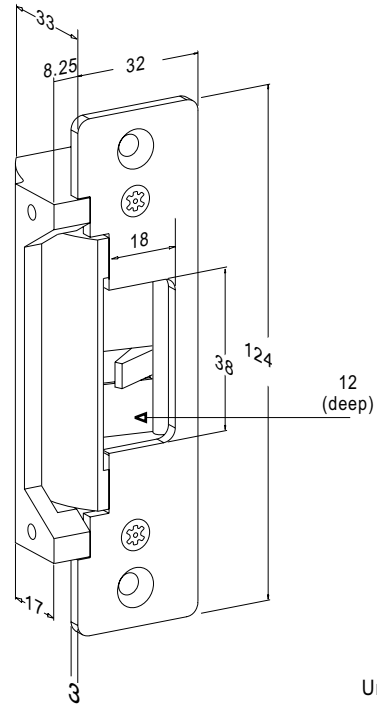
LP-050



LP-025



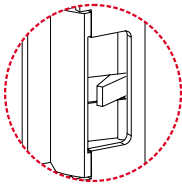
### Dimensions :



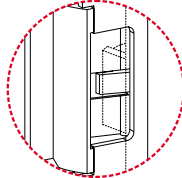
Unit : mm

### Sensor Switch Monitoring Output

The models with "Sensor Switch monitoring output" function is GK-310M, indicates the lockset locked or unlocked status.



The Sensor Switch monitoring as N.C. (Normal Close) output for door opened.



The Sensor Switch monitoring as N.O. (Normal Open) output for door closed.

### Warranty:

GEM Electric Strikes are warranted against defects in material and workmanship while used in normal service for a period of 3 years from the date of sale to the original customer.

### Disclaimer:

The information and specifications printed in this manual are current at the time of publication. The GEM policy is one of continual development and improvement; therefore GEM reserves the right to change specifications without notice.