



Loktronic

SECURITY • TECHNOLOGY • RELIABILITY

FDH40S universal mounting unbreakable fire door holding electromagnets 12 & 24 VDC selectable



Standard, floor mounted. Wall to door distance: 114mm.



Standard, wall mounted. Wall to door distance: 153mm.



Wall mounted, 126mm extn. tube.
Overall: 202mm (incl. armature).



Wall mounted, 156mm extn. tube.
Overall: 232mm (incl. armature).



Wall mounted, 355mm extn. tube.
Overall: 431mm (incl. armature).

- 10 year guarantee*
- Low power consumption for lower operating temperature
- Total flexibility - one product suits floor and wall mounting
- Universal armature - offsets to 55° to suit doors opening past 90°
- Additional flexible mounting in both planes to speed alignment
- Wall mount extensions available
- 12 & 24 VDC selectable on PCB
- Push off button means no residual magnetism
- Oversize armature for easy alignment
- Emergency release button
- Blackened stainless steel screws for aesthetic appeal
- All stainless steel fittings
- Electroless nickel plated armature and electromagnet for maximum durability and aesthetic appeal
- Designed, tested and produced in New Zealand to AS 4178
- Full local support and back up

*Standard terms and conditions of sale apply

For full specifications please consult the Product Specification Document (PSD)



Loktronic Limited Unit 7 19 Edwin Street Mt Eden Auckland
P O Box 8329 Symonds Street Auckland 1150 New Zealand
Ph 64 9 623 3919 Fax 64 9 623 3881 0800 FOR LOK
mail@loktronic.co.nz www.loktronic.co.nz





Loktronic

SECURITY • TECHNOLOGY • RELIABILITY

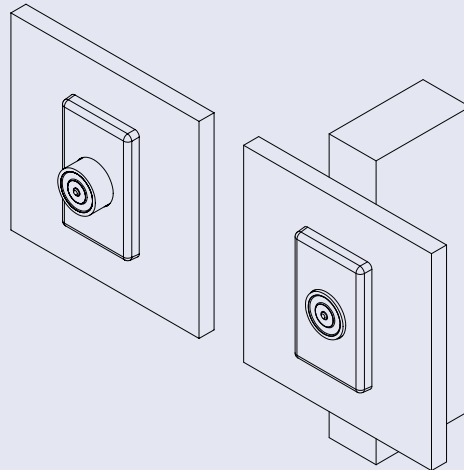
FDH40S/R

surface & recess mounting

fire door holding electromagnets 12 & 24 VDC selectable



Option A – Surface Mounted
Wall to door distance: 73mm



Option B – Recess Mounted
Minimum wall to door distance: 57mm



Satin Aluminium Gloss Black Gloss White

- 10 year guarantee*
- Satin aluminium, gloss black or gloss white covers
- One model covers both surface mount and recess mount options
- For surface mount use nylon base intact with choice of cover
- For recess mount, separate inner and outer mounting plates and mount inner plate to a stud or similar. Mount outer plate to wall.
- Low power consumption for lower operating temperature
- Universal armature - offsets to 55° to suit doors opening past 90°
- Additional flexible mounting in both planes to speed alignment
- 12 & 24 VDC are selectable at the PCB
- Push off button means no residual magnetism
- Oversize armature for easy alignment
- All stainless steel fittings
- Electroless nickel plated armature and electromagnet for maximum durability and aesthetic appeal
- Designed, tested and produced in New Zealand to AS 4178
- Full local support and back up

*Standard terms and conditions of sale apply

For full specifications please consult the Product Specification Document (PSD)



Loktronic Limited Unit 7 19 Edwin Street Mt Eden Auckland
P O Box 8329 Symonds Street Auckland 1150 New Zealand
Ph 64 9 623 3919 Fax 64 9 623 3881 0800 FOR LOK
mail@loktronic.co.nz www.loktronic.co.nz

