



Isolator Module

FW851



DESCRIPTION

The FW851 isolator module isolates the short point on the signaling line circuit (SLC) or Data Communication Link (DCL). The internal relay will be triggered to disconnect the line power where the short trouble is detected. The device's yellow LED will indicate the trouble condition by turning steady on. A return to the normal condition will cause the internal relay to switch back to normal position and restore the line power, the device LED indicator will turn off. The FW851 does not occupy an address on the Fire Alarm Control Panel's SLC/DCL, so no address programming is required. The FW851 is a UL/ULC listed product according to UL864 and ULC-S527 for Fire Protective Signaling Systems for indoor use.

ATTENTION

Products must be installed per the National Fire Alarm Code, NFPA 72, CAN / ULC-S524, and/or National Electrical Code, depending on the country of the installation. Check the information on equipment used in the system from other manufacturers for instructions and restrictions. The detector should never be installed in the following places: where there is a lot of exhaust gas, kitchens, near fireplaces, boilers, etc. Smoke detectors should not be used with detector guards unless the suit has been evaluated and approved for this case.

NOTE

Do not paint this unit.

Any material extrapolated from this document or Maple Armor's instructions or other materials describing the product for promotional or advertising purposes, or any other purpose, including the description of the application, the use, installation, and testing of the product is the sole

Page 1 of 3

responsibility of the user. Maple Armor assumes no responsibility for the use. In no event shall Maple Armor's liability exceed the purchase price of the product.

INSTALLATION

This module can be surface-mounted or flush-mounted as shown in figure 1.

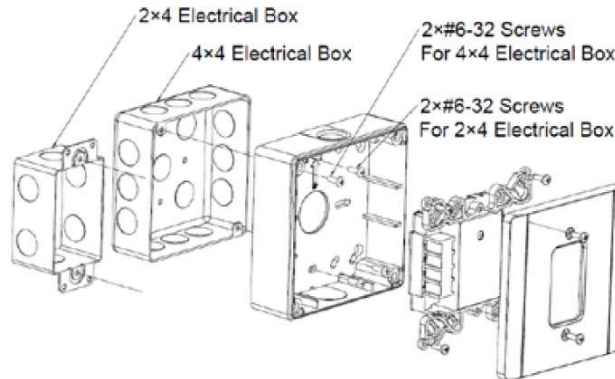
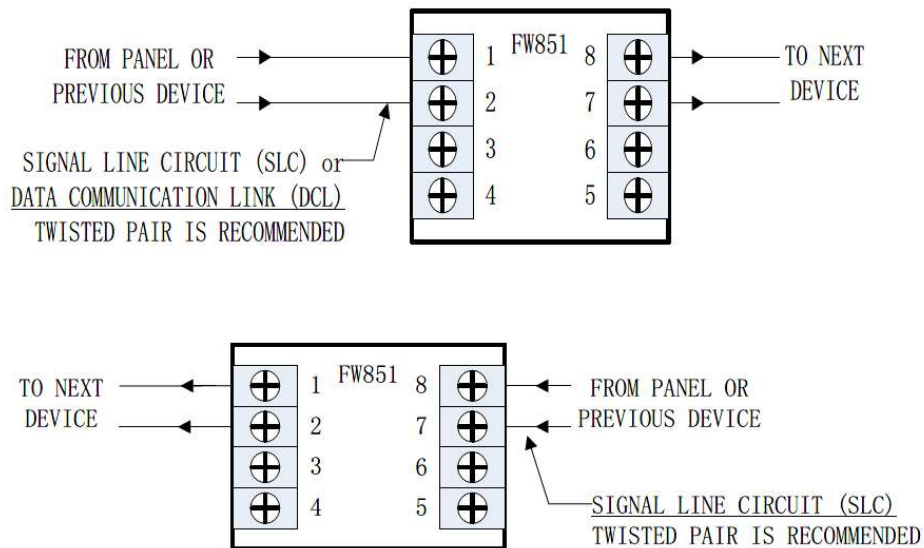
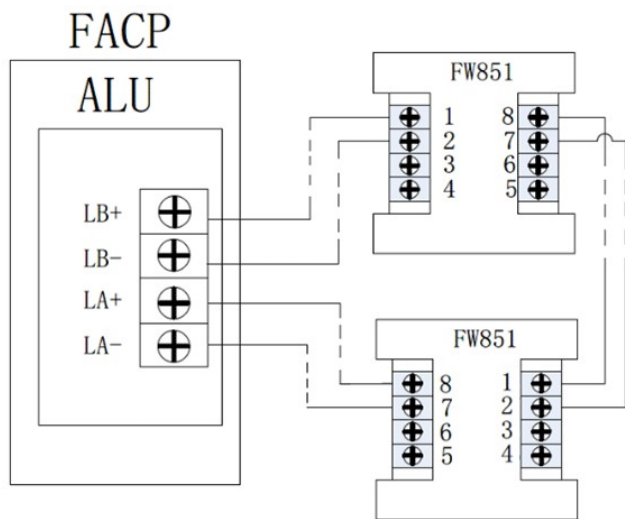
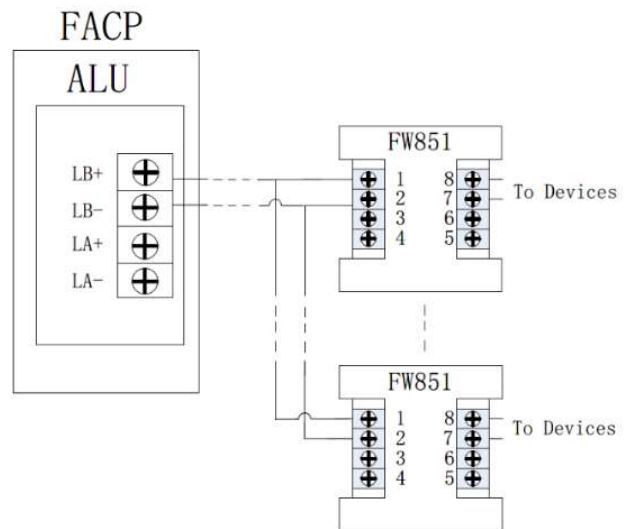


Figure 1. Installation Diagram





(a) Class A or DCLA Circuit



(b) Class B or DCLB Circuit

SPECIFICATION

FW851	
Nominal Voltage	24VDC
Voltage Range	15 to 28VDC
Standby Current	1.6 mA
Active Current	10.8mA
Operating Temperature	32°F to 120°F (0°C to 49°C)
Operating Humidity	0% to 93% RH
Dimension	120 mm (L) x 120 mm (W) x 45 mm (H)
Weight (with backbox)	8.8 oz (249 g)
Mounting	FW800 Box
Mounting Location	Indoor Wall
Wiring Gauge	12 to 18 AWG

CATALOG NUMBER TO ORDER

Model	Description
FW851	Isolator module
FW800	Surface box